

# Battery Glazer 17



A Battery Operated Ultra  
High-Speed Burnisher

# The Battery Glazer 17 Floor Machine

A battery operated ultra high-speed burnisher making daytime cleaning a breeze.

## Cordless Operation

The days of working with a corded ultra high-speed burnisher are over. The **Battery Glazer 17** floor machine from Tornado® is a one of a kind burnisher that operates on green batteries instead of a standard power cord. You no longer have the hassle of plugging and unplugging the unit as you clean different areas. Delivering two hours of run time before the batteries need to be recharged, the **Battery Glazer 17** greatly increases your cleaning productivity, saving you time and money. For recharging, simply plug the on-board charger into the wall and you are done in no time!

## The Green Standard

The **Battery Glazer 17** by Tornado® has minimal impact on the environment and comes standard with rechargeable, maintenance-free gel batteries with an on board charger. The **Battery Glazer 17** green features will meet any LEEDS - EB standard in your work place or facility. Tornado® has always sought to minimize the impact of cleaning on both the indoor and outdoor environment. Being an environmentally-conscious company, Tornado® has also included a dust control feature on this unit to ensure healthier indoor air quality (IAQ). As you operate the **Battery Glazer 17** ultra high-speed burnisher, not only will it produce a professionally polished floor, it will also pick up any dust or small dirt particles in its path. At the end of the shift, simply shake out the dust housing into a trash container.

## A Daytime Cleaning Solution

Operating at an incredibly low 59 dBA, the **Battery Glazer 17** is so quiet, you barely notice it running. Gone are the days of waiting until the end of the work day to give your floors the professional shine you require. The silent operating decibel level makes this unit perfect for day time cleaning in a hospital, hotel or any facility where noise sensitivity is an issue. Keep that professional shine on your floors all day long with the **Battery Glazer 17** floor machine by Tornado®.

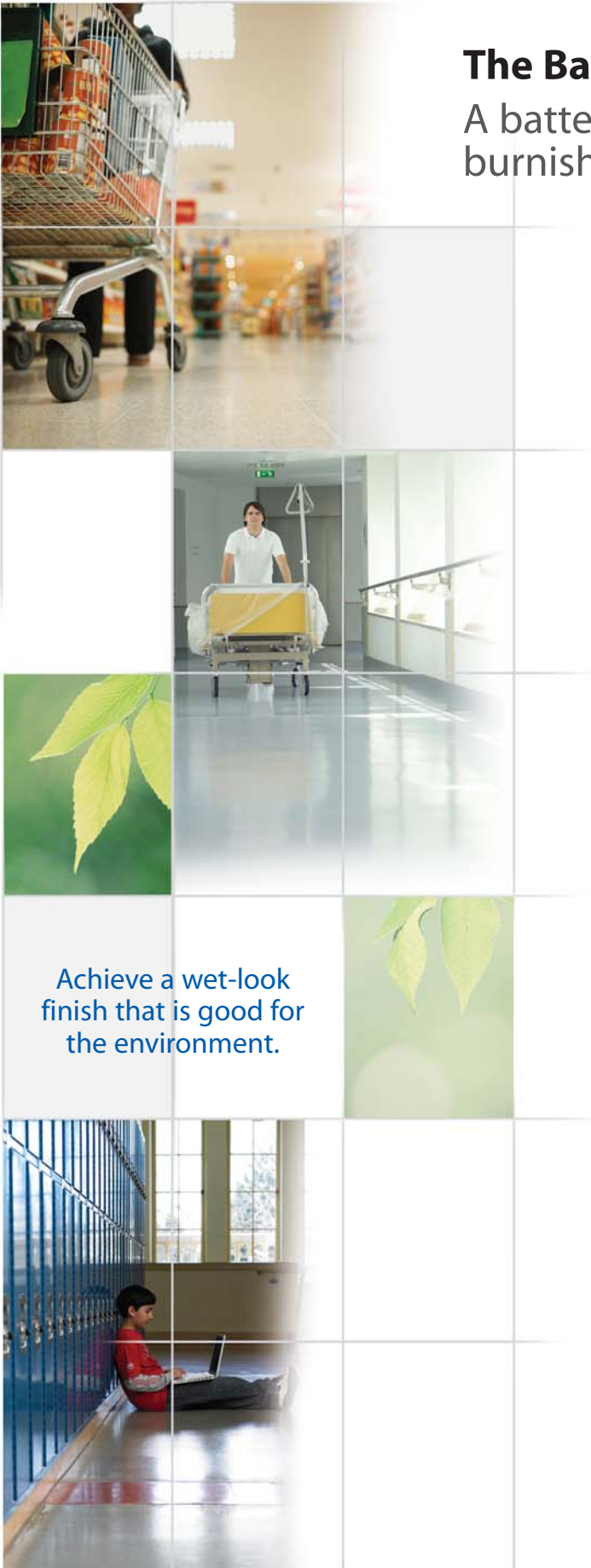
## Incredibly Smooth, Simple Operation

Your entire housekeeping staff can operate the **Battery Glazer 17** effortlessly. Unlike other traditional burnishers, this unit operates with a simple push, allowing the operator full and total control. Anyone on your cleaning staff, male or female, will appreciate the **Battery Glazer 17** thanks to its superior smooth maneuverability. This unit is a "must have" for housekeepers, building engineers and BSC's.

## Maximum Productivity for Smaller Spaces

Cleaning more than 7,500 sq. ft. per hour, the **Battery Glazer 17** will increase your cleaning productivity. With a two hour runtime, you clean 15,000 sq. ft. on just one battery charge. Need to get under countertops and maneuver in small healthcare or retail settings? The **Battery Glazer 17** is the perfect solution for you!

Achieve a wet-look finish that is good for the environment.



## Versatility

- Healthcare and Nursing Homes
- Hospitality
- Retail
- Education
- Food Service
- Government
- BSC's
- And much more

## Key Features

- Powered by eco-friendly gel batteries
- 1500 RPM pad speed
- Built-in dust control system for healthier IAQ
- Simple and easy to use
- On-board battery charger
- Approximately 2 hour run time
- Unbelievably whisper quiet 59 dBA!
- Easy to use handle adjustment lever
- Floating pad driver for full contact pressure
- Handle collapses for compact storage



### On-Board Charger

The built-in on-board battery charger is so simple to use and delivers two hours of run time per charge.



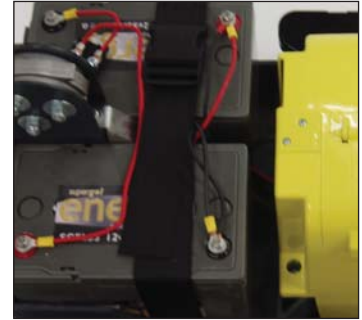
### Healthy IAQ

Dust control feature on this unit to ensure healthier indoor air quality (IAQ).



### Simple Battery Indicator

Battery charge indicator allows the operator to know exactly run time is left.



### Eco-Friendly Gel Batteries

Rechargeable, maintenance free gel batteries with an on board charger.



### Compact Storage

Easy storage with collapsible handle and transport wheel on back on the unit.

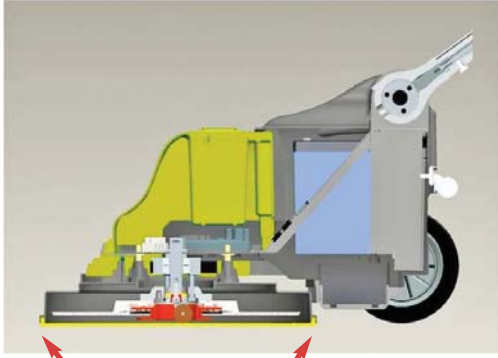


### Housekeeper Friendly

The torque-free Battery Glazer 17 is light weight, cordless, a breeze to maneuver, whisper-quiet and is ideal for busy housekeepers.

## Eco-Friendly Burnishing

The **Battery Glazer 17** operates at an industry-leading 59 dBA for whisper-quiet cleaning. The **Battery Glazer 17** is the perfect solution for any noise-sensitive facility such as hospitals, nursing homes, schools, retail, hotels and much more. And its dust-control feature and eco-friendly gel batteries ensure increased safety for cleaning workers, building occupants and the environment.



Integrated dust control system is in constant contact with the floor during operation dramatically reducing airborne dust and contaminants.

PRODUCT SPECIFICATIONS	
MODEL	Battery Glazer 17
CATALOG NUMBER	98494
MACHINE DIMENSIONS	
L X W X H	26" x 18" x 39"
NET WEIGHT	141 lbs.
DESIGN CHARACTERISTICS	
HOUSING CONSTRUCTION	Polypropylene
POWER SYSTEM	GEL Batteries
CLEANING SYSTEM	
BRUSH DESIGN / TYPE	Rotary Disc
ROTARY DIAMETER	17"
DISC RPM	1500
DISC PRESSURE	6 lbs.
INTEGRATED FILTRATION SYSTEM	Dust Control System
CLEANING PATH	17"
SOUND LEVEL	59 dB
CLEANING RATE (SQ. FT. PER HR.)	7,500 sq. ft.
MOTORS	
MOTOR HORSE POWER (HP)	0.6
ACCESSORIES	
OPTIONAL SPRAY KIT	90602



Cleans 7,500 sq. ft. per hour and 15,000 sq. ft. on one battery charge!



Optional Spray Kit

